



US007449803B2

(12) **United States Patent**
Sahyoun

(10) **Patent No.:** **US 7,449,803 B2**
(45) **Date of Patent:** **Nov. 11, 2008**

(54) **ELECTROMAGNETIC MOTOR TO CREATE A DESIRED LOW FREQUENCY VIBRATION OR TO CANCEL AN UNDESIRED LOW FREQUENCY VIBRATION**

(76) Inventor: **Joseph Y. Sahyoun**, 3031 Hopkins Ave., Redwood City, CA (US) 94062

(*) Notice: Subject to any disclaimer, the term of this patent is extended or adjusted under 35 U.S.C. 154(b) by 253 days.

(21) Appl. No.: **11/086,216**

(22) Filed: **Mar. 21, 2005**

(65) **Prior Publication Data**
US 2006/0208600 A1 Sep. 21, 2006

(51) **Int. Cl.**
H02K 41/00 (2006.01)
(52) **U.S. Cl.** **310/14; 310/23**
(58) **Field of Classification Search** **310/12-14, 310/23, 30, 34**
See application file for complete search history.

(56) **References Cited**
U.S. PATENT DOCUMENTS
3,129,347 A * 4/1964 Tognola 310/15
3,728,654 A * 4/1973 Tada 335/234
4,381,181 A * 4/1983 Clegg 417/423.7

4,542,311 A	9/1985	Newman et al.	310/13
5,231,336 A	7/1993	van Namen	318/128
5,335,284 A	8/1994	Lemons	381/152
5,424,592 A	6/1995	Bluen et al.	310/28
5,973,422 A	10/1999	Clamme	310/36
6,201,329 B1 *	3/2001	Chen	310/90.5
6,326,706 B1 *	12/2001	Zhang	310/12

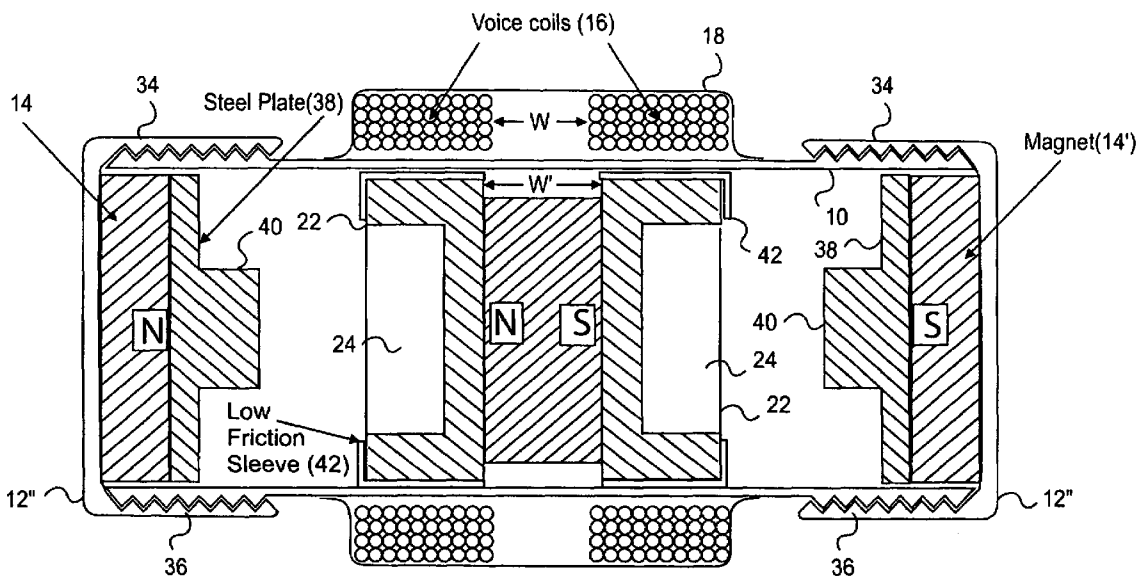
* cited by examiner

Primary Examiner—Dang D Le
(74) *Attorney, Agent, or Firm*—Allston L. Jones

(57) **ABSTRACT**

Electromagnetic motor with a slider that moves linearly with respect to the stator in either direction. Embodiments include slider internal or external the stator. Slider includes one magnetic flux producing element in all embodiments. Internal slider embodiments stator includes a minimum of three magnetic flux producing elements and a maximum of four such elements. External slider embodiments stator includes two magnetic flux producing elements. All embodiments provide positive slider return to center at rest position. In internal slider embodiments the slider is centered within the stator resulting from either: a combination of a repelling force from a single magnetic flux producing element in opposition to gravitational pull on the slider due to its weight; or equal and opposite repelling forces on opposite sides of the stator from a magnetic flux producing element on opposite sides of the stator all three elements in longitudinal alignment with each other.

31 Claims, 11 Drawing Sheets



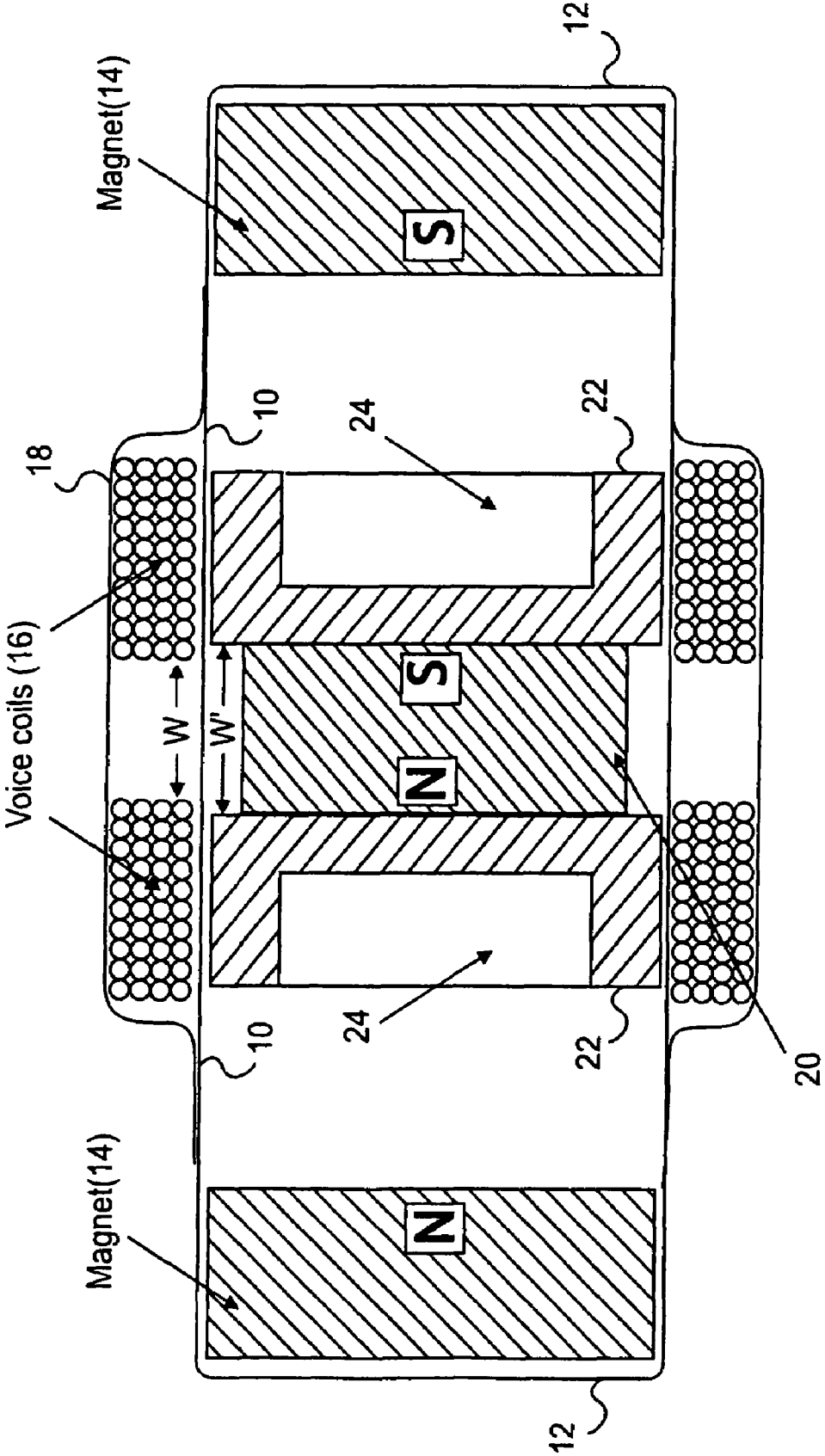


FIGURE 1

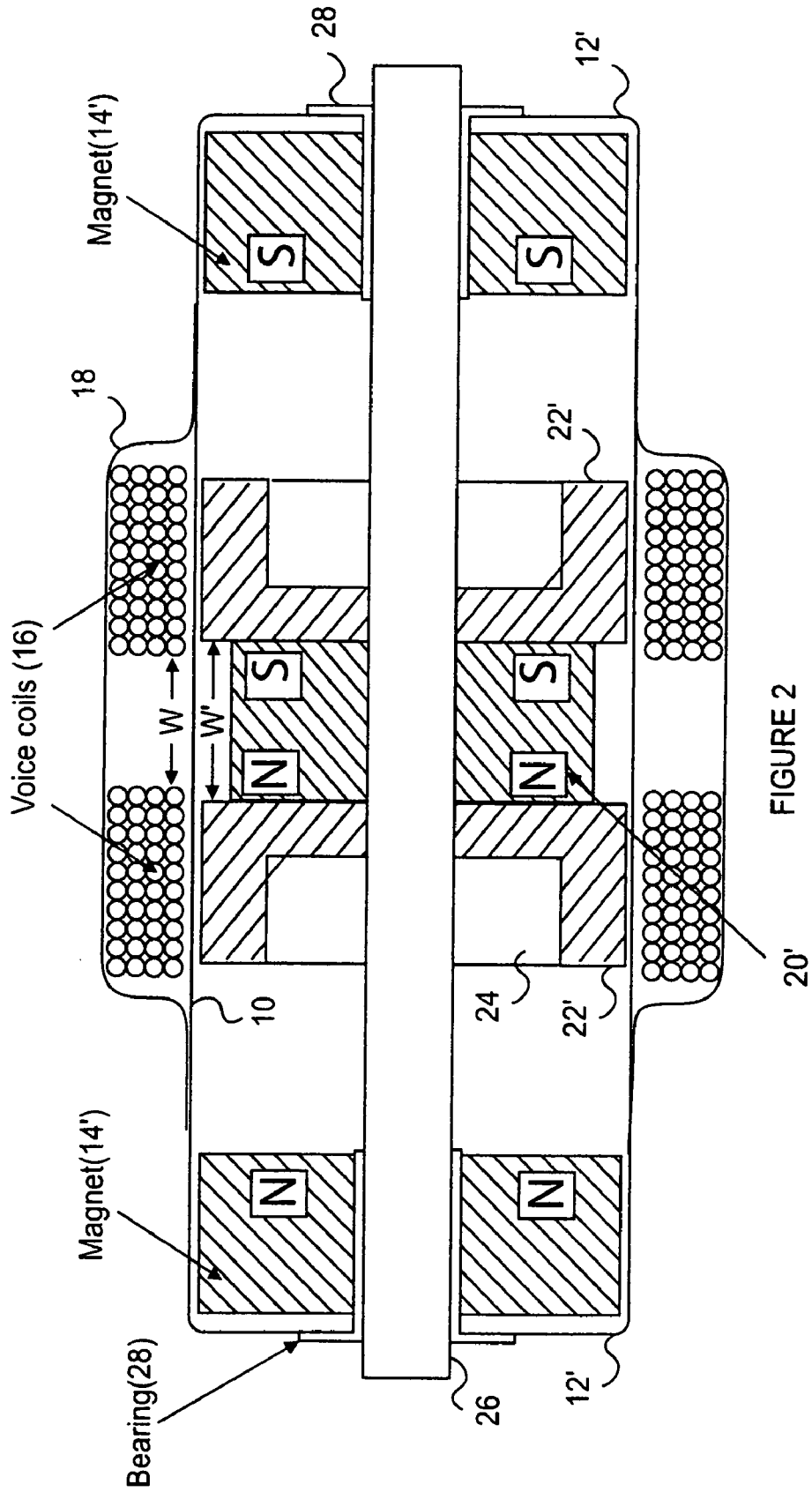


FIGURE 2

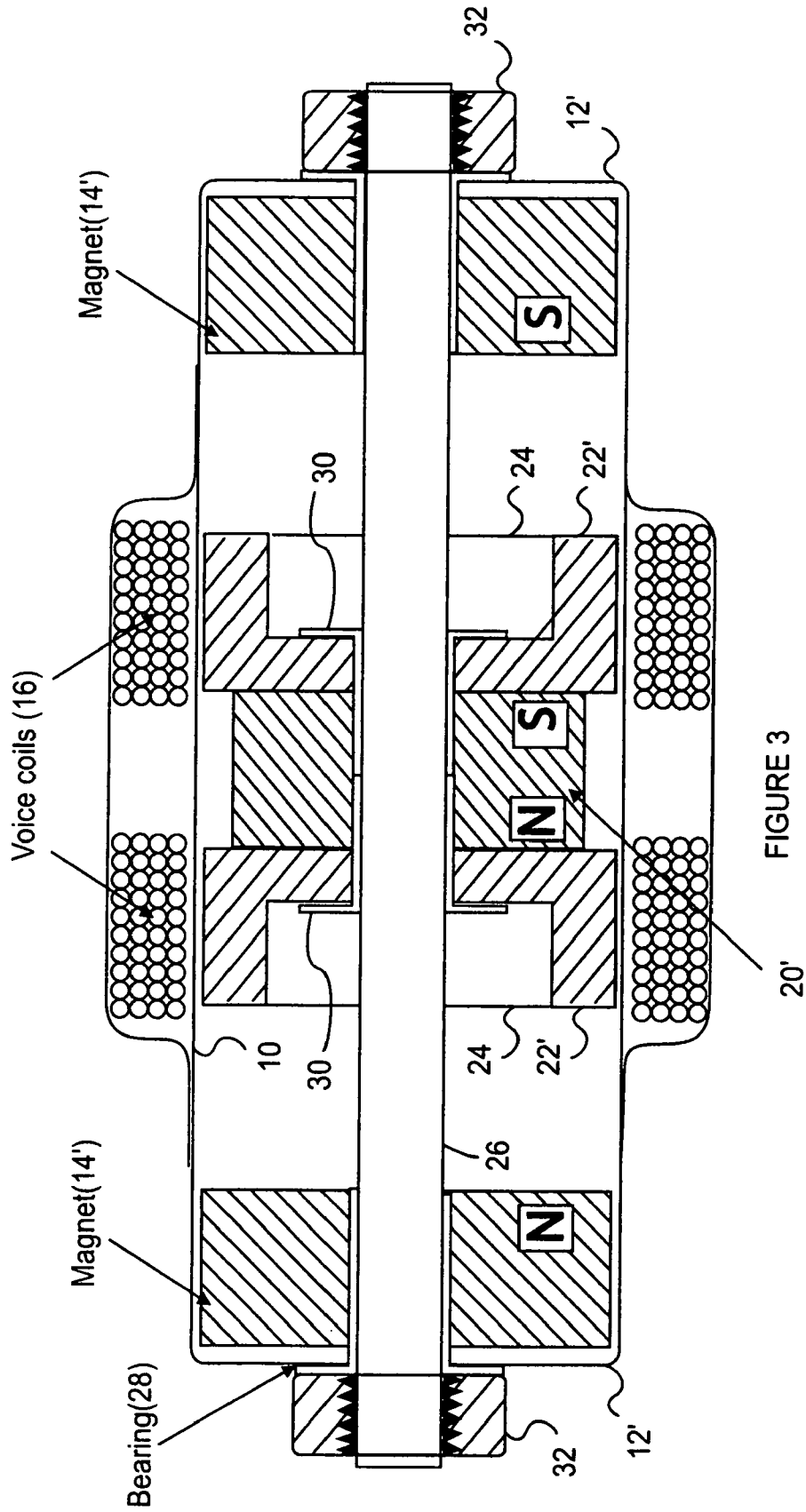


FIGURE 3

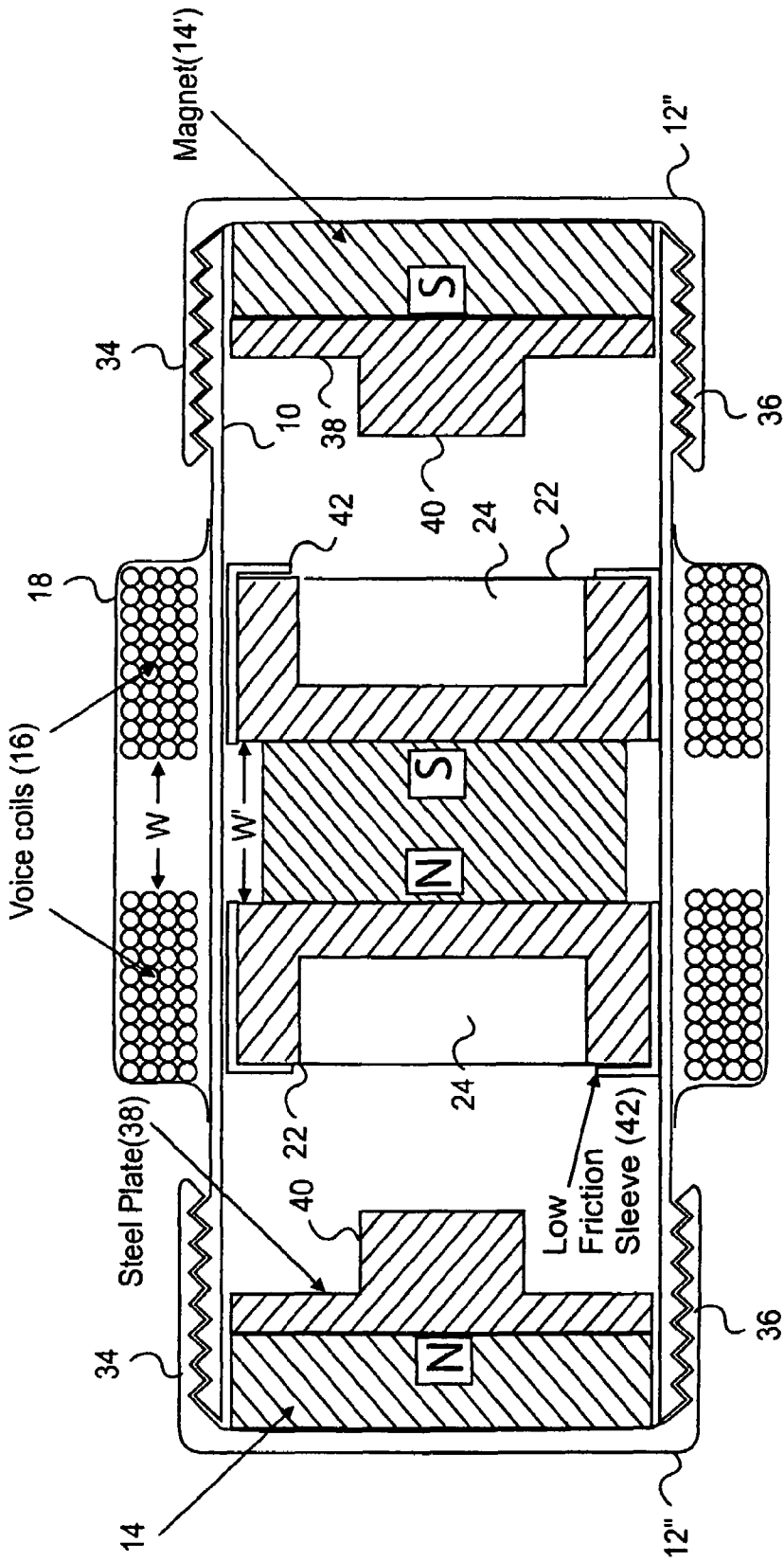


FIGURE 4

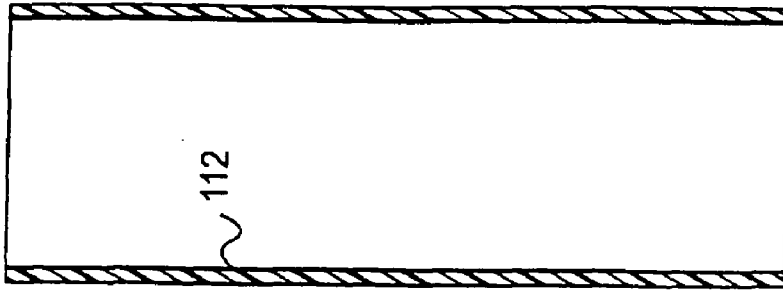


FIGURE 5C

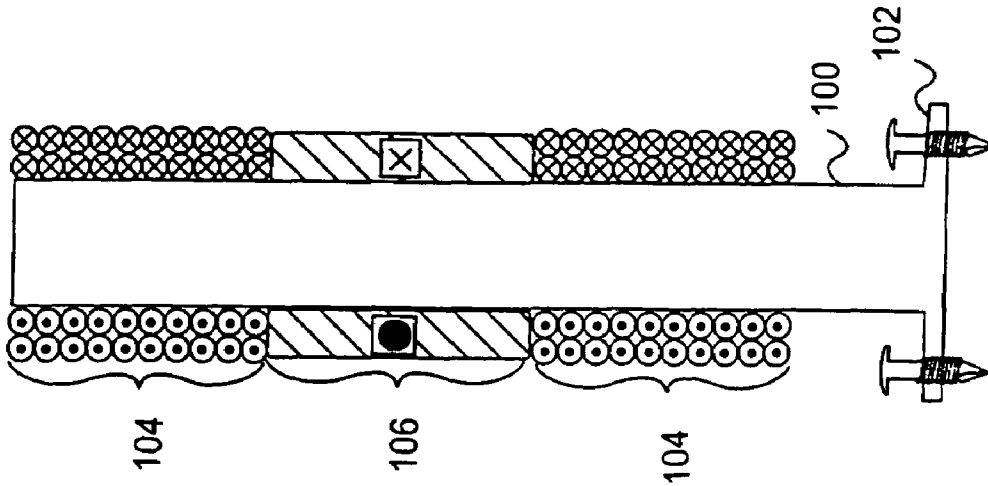


FIGURE 5A

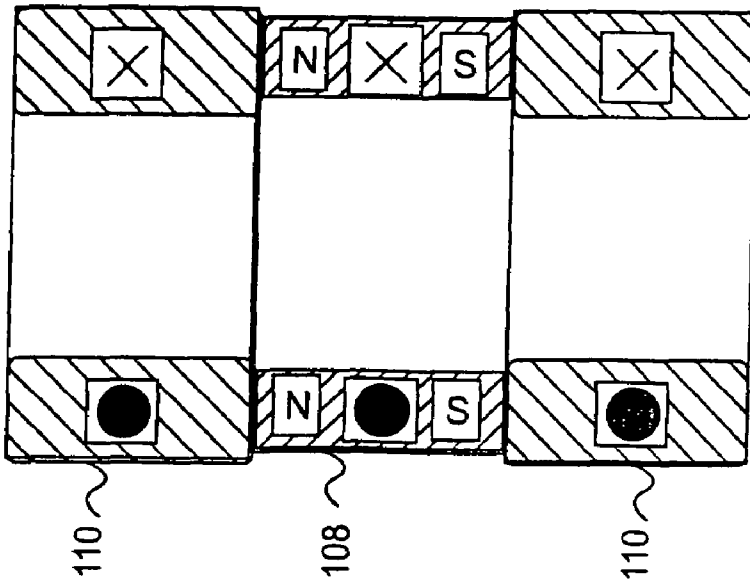


FIGURE 5B

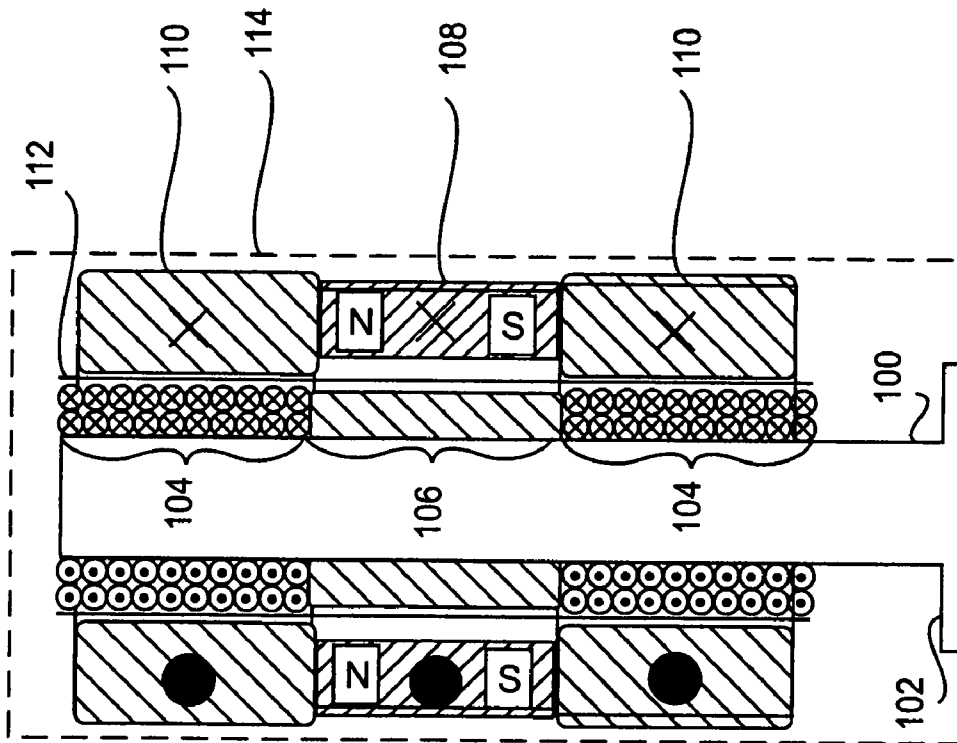


Figure 5D

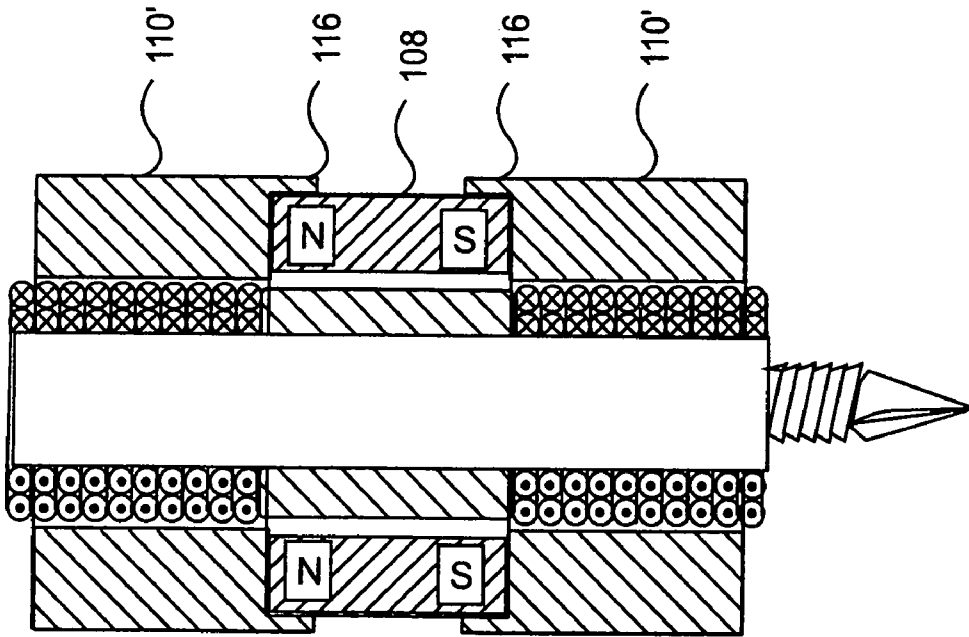


Figure 6D

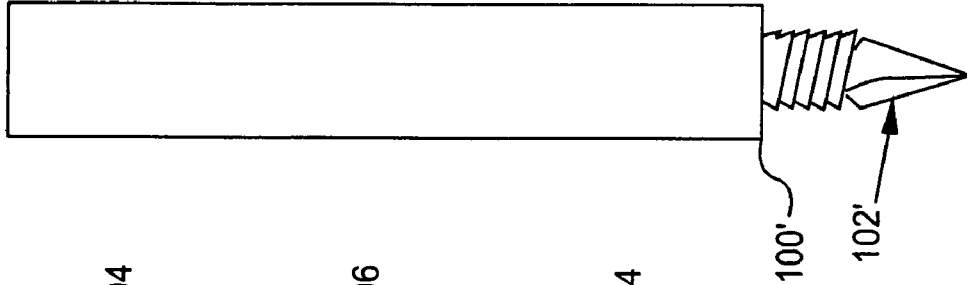


FIGURE 6A

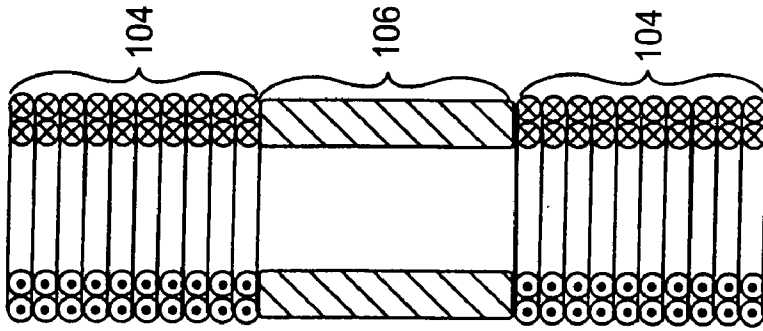


FIGURE 6B

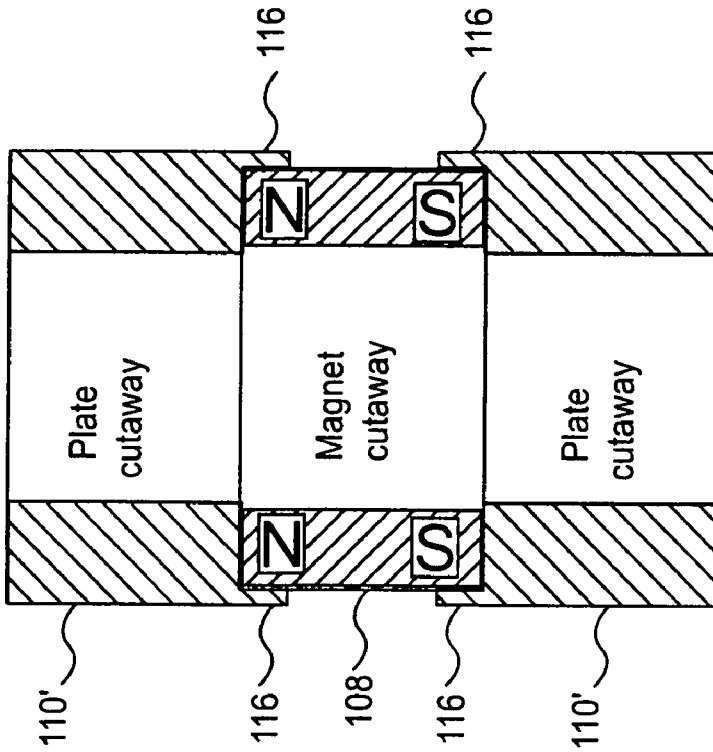


FIGURE 6C

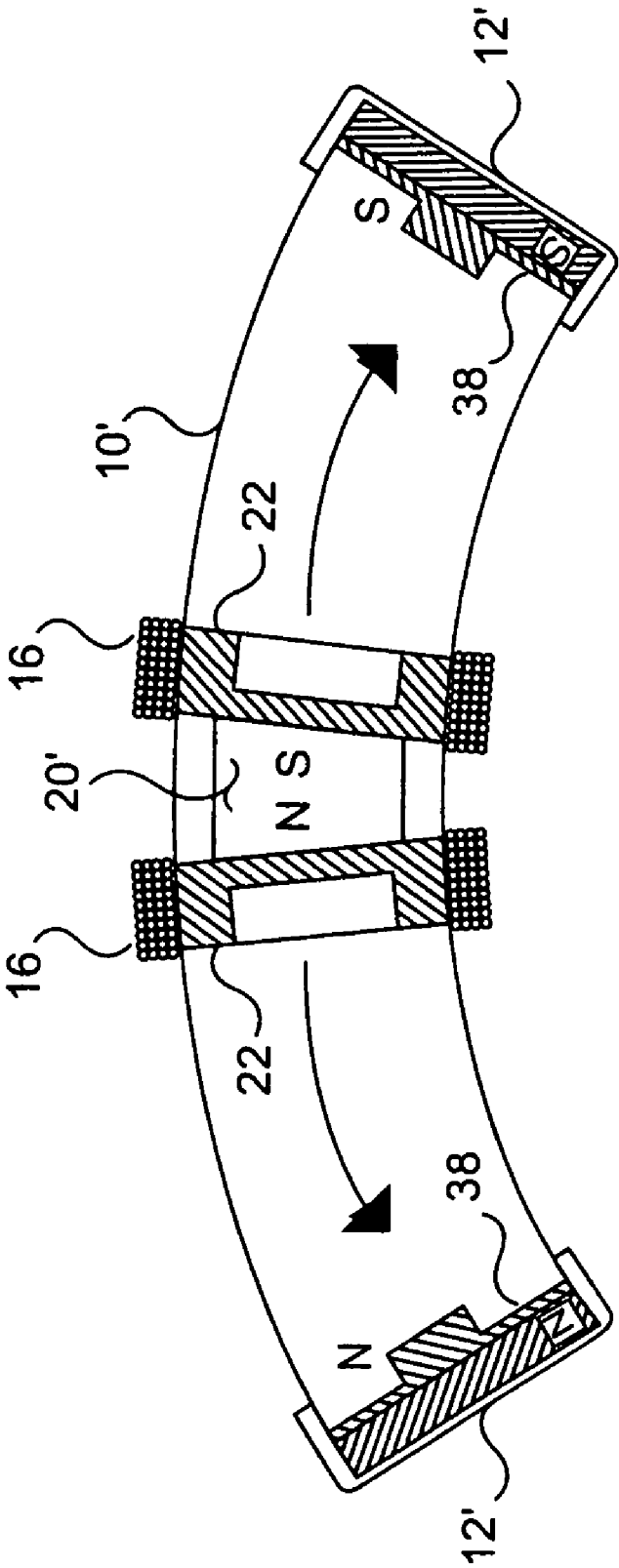


FIGURE 7

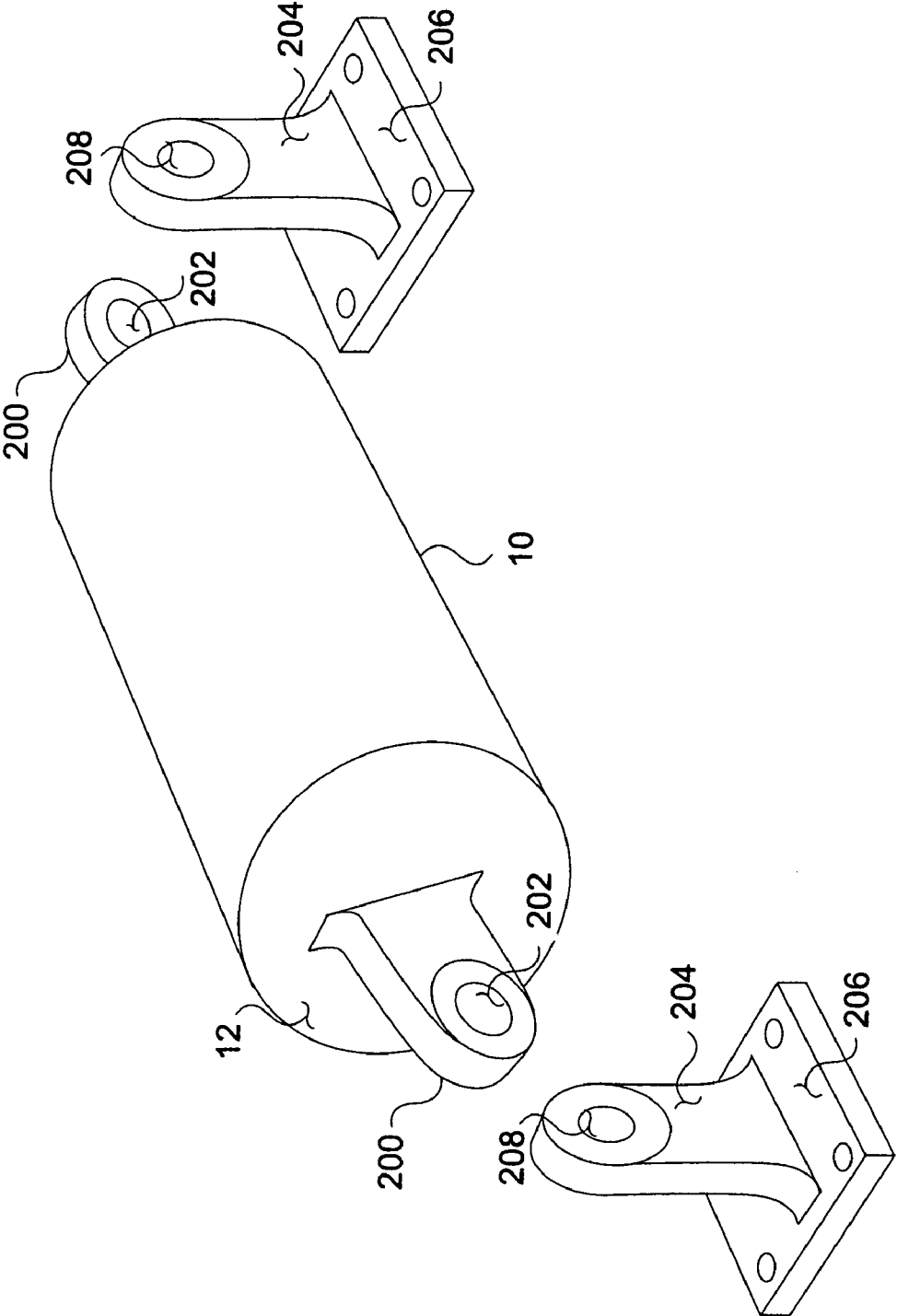


FIGURE 8

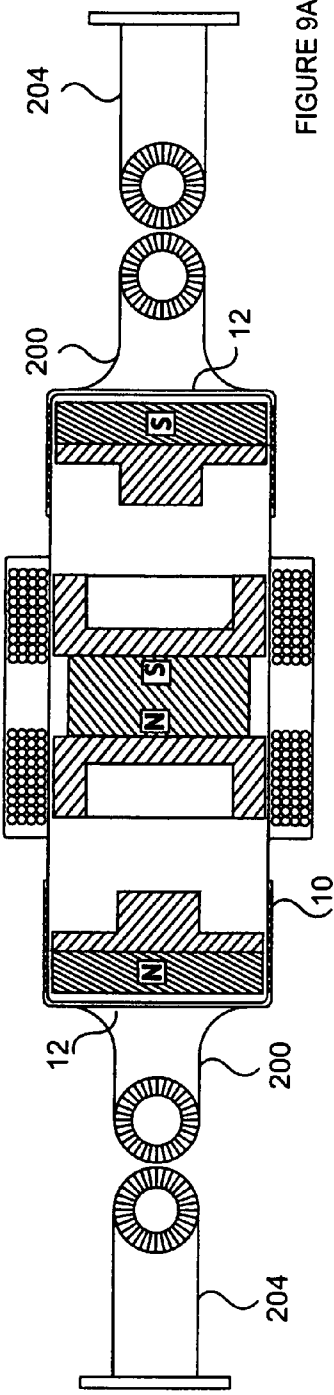


FIGURE 9A

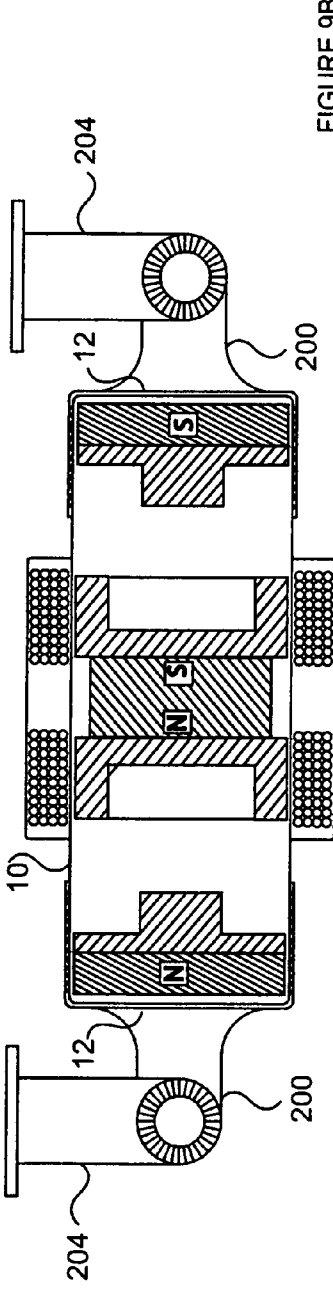


FIGURE 9B

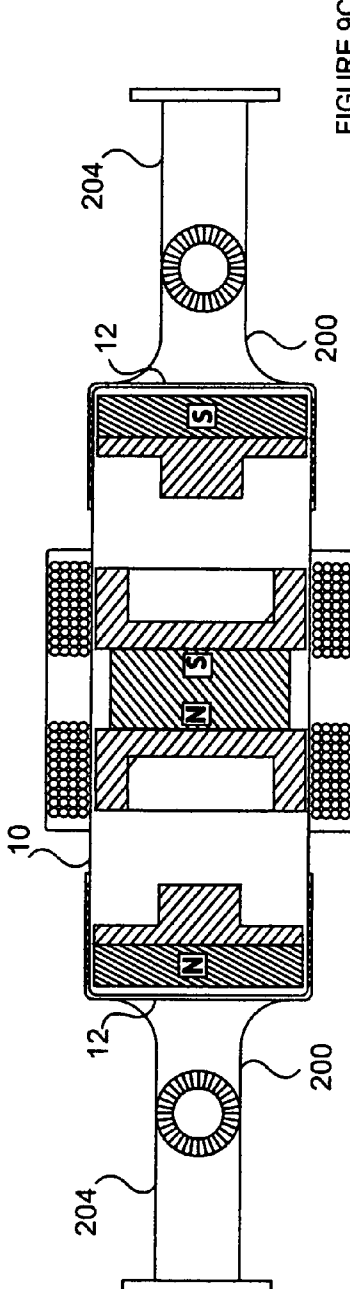


FIGURE 9C

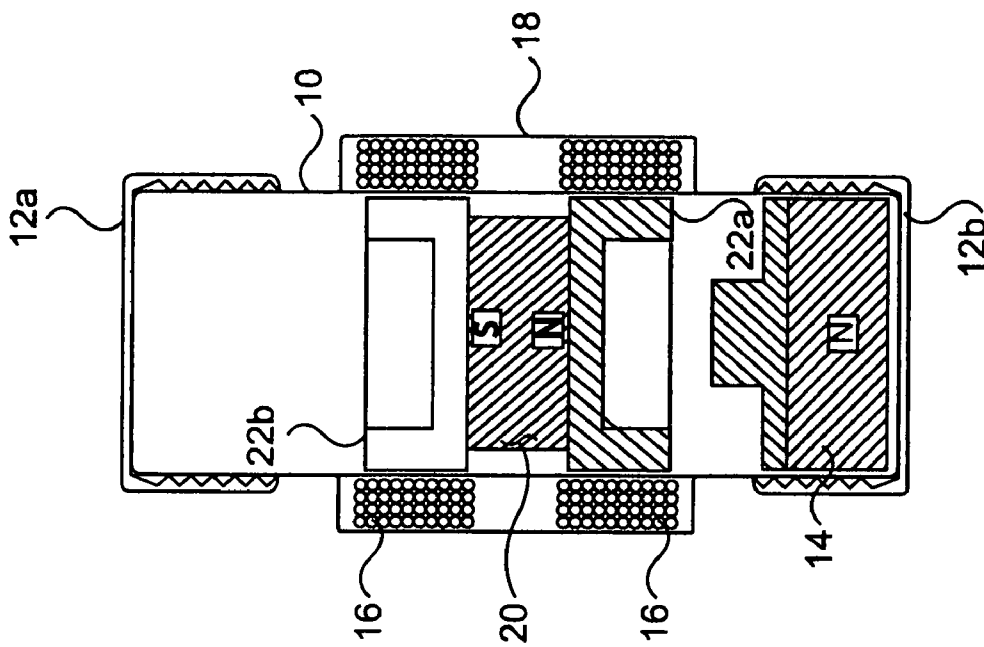


FIGURE 10

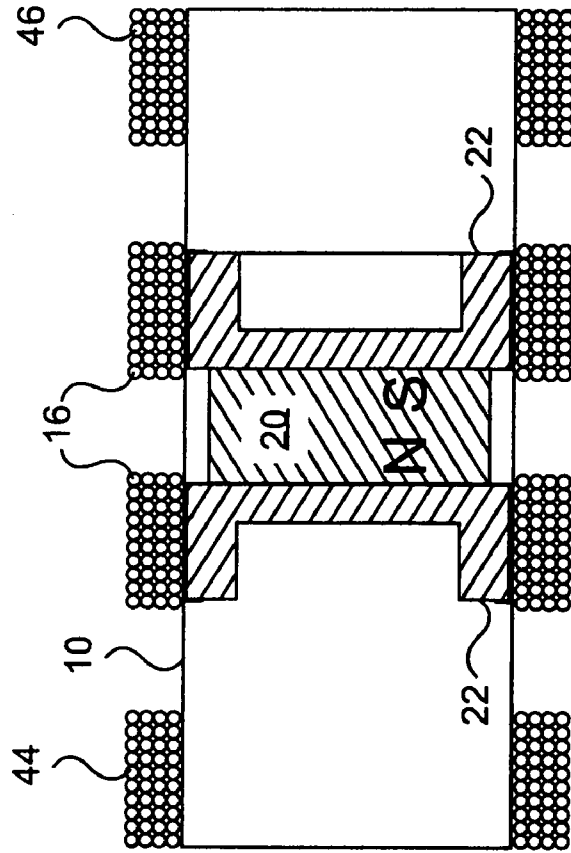


FIGURE 11

**ELECTROMAGNETIC MOTOR TO CREATE
A DESIRED LOW FREQUENCY VIBRATION
OR TO CANCEL AN UNDESIRED LOW
FREQUENCY VIBRATION**

BACKGROUND OF THE INVENTION

1. Field of the Invention

The present invention relates to a linear stroke electromagnetic motor having a free moving internal mass that is caused to move selectively by the application of electrical signals to create an electromagnetic force on the free moving internal mass to produce a desired low frequency sound or strong variable vibration or to drive a solenoid like apparatus proportionally to the applied signal.

2. Description of the Prior Art

The prior art includes various linear stroke electromagnetic motors. An early such device is disclosed in U.S. Pat. No. 4,542,311 (hereinafter '311), issued Sep. 17, 1985 and entitled LONG LINEAR STROKE RECIPROCATING ELECTRIC MACHINE. This device includes a cylindrical air gap defined between outer and inner gaps defining surfaces, at least one of which has a length equal to the length of an electric coil plus the length of the stroke. Additionally it includes a flux focusing ring, having a length in the direction of movement equal to the length of the coil in the same direction, that concentrates substantially all the field flux and all of the electric coil turns to interact over the entire stroke.

Another device is disclosed in U.S. Pat. No. 5,231,336 (hereinafter '336), issued Jul. 27, 1993 and entitled ACTUATOR FOR ACTIVE VIBRATION CONTROL. Disclosed here is a device that may have either a moving coil or a moving magnet with the moving element undergoing reciprocal motion in response to an electrical input signal. The device described in patent '336 employs a centering shaft that extends through the center of the actuator to radially center the moving element. Additionally, the longitudinal return force on the moving element depends on mechanical springs that are located around each end of the centering shaft. The use of springs in this design, requires frequent service as the spring constant tends to change with time. Additionally, as the moving element moves the springs tend to make noise that is audible when the actuator is in use making application of this device unacceptable in an audio system as a low frequency radiator. Also, if the actuator is mounted vertically with the centering shaft oriented vertically, the weight of the moving element will exercise an uneven load on the springs. The weight of the moving element thus will cause the moving element to partially compress the lower spring and cause the moving element to assume a position that is lower than the desired centered position when at rest; which causes the magnet and the actuation coil (voice coil in audio applications) to be offset one from the other. This misalignment will create heat, reduction of performance and possibly destruction of the actuator.

Another representative prior art publication is U.S. Pat. No. 5,424,592 (hereinafter '592), issued Jun. 13, 1995 and entitled ELECTROMAGNETIC TRANSDUCER. Disclosed here is an electromagnetic actuator that includes a first assembly, a second assembly disposed for relative movement with respect to the first assembly and at least a first flexure interconnecting the first assembly and the second assembly. The first assembly includes a core having a first magnetic pole of a first polarity and a second magnetic pole of a second polarity. The second assembly includes a conductive electric coil having a first coil portion and a second coil portion. The first magnetic pole is in a facing relationship with the first coil

portion and the second magnetic pole is in a facing relationship with the second coil portion. The first coil portion and the second coil portion are arranged so that an electrical current in the coil develops additive flux current products at each of the first coil portion and the second coil portion. Further one of the first assembly and the second assembly includes a magnetic flux return path between the first coil and the second coil portion. The "flexure" in this design in simple terms is a spring and thus this design has problems that are similar to those described above with respect to patent '336.

A fourth representative prior art publication is U.S. Pat. No. 5,973,422 (hereinafter '422), issued Oct. 26, 1999 and entitled LOW FREQUENCY VIBRATOR. The device disclosed here has a stator member with a cylindrical, central chamber, a cylindrical tubular liner of low friction, non-ferromagnetic material positioned in the chamber to form a bearing and a cylindrical, ferromagnetic, reciprocating piston slidably mounted in the liner. The stator has a pair of coils and a permanent magnet positioned centrally in the reciprocating piston. A ferromagnetic flux conductor surrounds the coils and extends between opposite ends of the chamber. This configuration creates a magnetic spring having a spring constant K with the ratio of K to the mass M of the reciprocating member, made substantially equal to the square of a radian frequency in the operating frequency range of the vibrator.

The preferred design disclosed by patent '442 depends on a metal or ferrite material being installed on the stator to center the slider. The metal on the stator and the magnet of the moving slider have the strongest force at rest. During operation, signals of lower force amplitude than the force that holds the slider in its stationary position are ignored. For example, if the ferrite and the magnet are held in position by a 10 lbs. force, signals that produce force amplitudes of 1 lbs. and up to 9.99 lbs. will tend to be ignored. An 11 lbs. force will lead to an acceleration that is not proportional to the input signal. These render this design a mere solenoid with an output of ON or OFF. Once again this design does not address centering during vertical mounting as gravity will offset the center slider causing it to have very poor performance, heat up and then malfunction.

These and other previous designs each include drawbacks to various applications of the device disclosed. Some require centering rods, and springs to bring the slider back to its neutral position. These complex designs produce spring noise, spring fatigue and require a complex assembly. Other designs to help center the slider included a ferrous ring fastened on the outside of the stator in between the two coils wherein the widths of the ferrous ring and the slider magnet have to be equal for precise centering. That design suffers from short strokes since the excursion of the slider is directly related to the distance between the coils. Another weakness of prior art designs is that they do not offer linear resistance to the slider throughout the path of movement, i.e., the further the slider travels from the center position, the less resistance there is in the direction of movement. These designs only help centering of the slider when in the non-actuated position with the vibration that they produce being non linear and devices designed in these ways simply providing little more than on-off type compliance.

The desired design is one that produces linear excursion as the slider floats freely throughout its travel between the terminating magnets and has fewer limitations produced by the centering technique employed when the slider is in the non-activated position whether the electromagnetic motor is mounted horizontally, vertically, or at any other angle. The present invention provides such advantages.

SUMMARY OF THE INVENTION

The electromagnetic motor of the present invention is designed with a slider that moves linearly with respect to the stator in both directions. Embodiments of the present invention include those with a slider internal to the stator as well as embodiments with the slider external to the stator. In each of the embodiments, the slider includes one magnetic flux producing element: either a coil capable of producing a constant magnetic flux or a magnet each have the magnetic flux oriented longitudinally relative to the stator.

The stator, in embodiments with the slider internal the stator, includes a minimum of three magnetic flux producing elements and a maximum of four such elements. The stator, in embodiments with the slider external the stator, include two magnetic flux producing elements. All embodiments provide positive slider return to a center rest position. In internal slider embodiments the slider is centered within the stator resulting from either: a combination of a repelling force from a single magnetic flux producing element in opposition to gravitational pull on the slider due to its weight; or equal and opposite repelling forces on opposite sides of the stator from a magnetic flux producing element on opposite sides of the stator with all three elements in longitudinal alignment with each other.

BRIEF DESCRIPTION OF THE FIGURES

FIG. 1 is a longitudinal cross-section of a basic embodiment of the present invention;

FIG. 2 is a longitudinal cross-section of a second embodiment of the present invention that is similar to the embodiment of FIG. 1;

FIG. 3 is a longitudinal cross-section of a third embodiment of the present invention that is similar to the embodiment of FIG. 2;

FIG. 4 is a longitudinal cross-section of a fourth embodiment of the present invention that is similar to the embodiment of FIG. 1;

FIGS. 5A-C collectively are a longitudinal cross-section exploded view of a fifth embodiment of the present invention with the slider as the outer most component with FIG. 5A being the stator, FIG. 5B being the slider and FIG. 5C being an insulator sleeve the fits around the stator with the slider around the sleeve;

FIG. 5D is a longitudinal cross-section assembled view of the fifth embodiment of FIGS. 5A-C;

FIGS. 6A-C collectively are a longitudinal cross-section exploded view of a sixth embodiment of the present invention that is similar to the embodiment of FIGS. 5A-D with FIG. 6A being the mounting post, FIG. 6B being the stator that fits around the mounting post and FIG. 6C being the slider that fits around the stator;

FIG. 6D is a longitudinal cross-section assembled view of the sixth embodiment of FIGS. 6A-C;

FIG. 7 is a longitudinal cross-section of a seventh embodiment of the present invention that is a modified version of the fourth embodiment of FIG. 4;

FIG. 8 is an exploded perspective view of a first example mounting technique for the electromagnetic motor of the present invention;

FIG. 9A shows a longitudinal cross-section of the electromagnetic motor of FIG. 4 equipped for mounting;

FIG. 9B shows a longitudinal cross-section of the electromagnetic motor of FIG. 4 mounted horizontally below a surface;

FIG. 9C shows a longitudinal cross-section of the electromagnetic motor of FIG. 4 mounted horizontally between two surfaces;

FIG. 10 is a longitudinal cross-section of an end mounted eighth embodiment of the present invention that has fewer components than the embodiments of previous figures; and

FIG. 11 is a longitudinal cross-section of a ninth embodiment of the present invention that is a single magnet modified embodiment of that of FIG. 4.

DETAILED DESCRIPTION OF THE PRESENT INVENTION

The present invention pertains to a low frequency oscillating transducer that is capable of producing low frequency sounds along with strong vibrations that has application as a low frequency transducer that extends the frequency response of a loudspeaker below the audible range without producing other mechanical sounds when in use. Examples of other applications for the present invention are as a vibration actuator: e.g., to interactively shake a theater seat, in synchronization with a movie to increase the perceived special effect of the movie; to interactively vibrate a video game controller in synchronization with a video game during play; etc. There are also many applications for the present invention as a vibration cancelling device in situations where vibration is undesirable. To cancel the undesirable vibration the electromagnetic motor of the present invention is oriented with the axis of movement of the slider parallel to the axis of the vibration to be cancelled, then a selected signal of a variable pattern and variable strength is applied to the electromagnetic motor that produces an opposing vibration of the same pattern and of equal strength in the opposite direction to that of the undesirable vibration to effectively cancel the undesirable vibration to provide stability for a machine or other device.

The present embodiments provide a completely balanced magnetic circuit that produces strong linear vibration without any byproducts of axial vibration. This design also uses fewer moving parts than prior art embodiments. In the present embodiments the moving mass is centered by linear and balanced magnetic forces.

The embodiments of this invention deal with two main systems; a stationary system that is referred to herein as the "stator", and a moving system that is referred to herein as the "slider". There are embodiments of the present invention where the slider is internal to the stator as well as embodiments where the slider is external to the stator.

FIG. 1 is a longitudinal cross-section of a basic embodiment of an electromagnetic motor of the present invention. The stator of the electromagnetic motor of FIG. 1 includes a tube 10 of a non-ferrous (non-magnetic) material that has a selected length and inner diameter. At opposite ends of tube 10 is an end cap 12 that closes the ends of tube 10. Internal at each end of tube 10 and fastened to each of end caps 12 is a circular magnet 14 (while the magnets shown in this figure are disks, they could alternatively be the type of magnet that has a hole in the center) that is sized to fit within tube 10 having a diameter that is slightly smaller than the inner diameter of tube 10. As shown in FIG. 1, one of magnets 14 has the N (north) pole facing into tube 10 (left side) and the other magnet 14 has the S (south) pole facing into tube 10 (right side). Additionally, wound around the outside of tube 10 are two electrically conductive coils 16 (i.e., inductors) each spaced apart from the longitudinal center of tube 10 substantially the same selected distance (i.e., spaced apart from each other around the longitudinal center of tube 10). Also shown in FIG. 1 is an optional non-magnetic, non-electrically con-

5

ductive cover **18** that encircles both coils **16** and closes with tube **10** on opposite sides of the two coils **16** (e.g., shrink tubing). Cover **18** provides a dust cover and electrical insulation to the outer layers of coils **16**.

The slider of FIG. 1 is internal to tube **10** and includes a third circular magnet **20** that has a diameter that is shown here as being smaller than the internal diameter of tube **10**, however, magnet **20** could have a diameter that is slightly smaller than the inner diameter of tube **10**. Centered on each face of magnet **20** there is a magnetically conductive plate **22** (a ferrous material such as steel) with each of plates **22** having an outer diameter that is smaller than the internal diameter of tube **10**. So that the slider that includes magnet **20** and plates **22** moves freely within tube **10** without coming into contact with the inner surface of tube **10** as the slider moves, the outer diameter of each of plates **22** is smaller than the inner diameter of tube **10**. The magnetic orientation of magnet **20**, with respect to end magnets **14**, has the N pole facing left toward the end magnet **14** with its N pole facing inward, and the S pole of magnet **20** is facing right toward the end magnet **14** having its S pole facing inward. By orienting end magnets **14** to face the like pole of slider magnet **20**, a repelling force between slider magnet **20** from each of end magnets **14** is created to repel the slider to return to the center position.

The magnetic strength of end magnets **14** are selected to be substantially equal to each other and sufficiently strong to center the slider in tube **10** when the slider is at rest as shown in FIG. 1. The relationship between the strength of end magnets **14** and slider magnet **20** depends on various factors (e.g., total mass of the slider, the desired damping incorporated in the electromagnetic motor, and the degree of free motion of the slider that is desired). In an over damped situation the strength of end magnets **14** should be greater than, or equal to the strength of slider magnet **20**; in a critically damped situation all three magnets should have substantially the same strength; and in an under damped situation the strength of the slider magnet should be greater than the strength of the end magnets.

From FIG. 1 it can also be seen that coils **16** are positioned to be opposite a corresponding plate **22** of the slider when no power is applied to coils **16**; that is the spacing between coils **16** is substantially equal to the width of slider magnet **20**. Also to optimize the magnetic coupling between each of plates **22** and the corresponding one of coils **16**, each of plates **22** can be formed to have a "squared C" cross-sectional shape as shown in FIG. 1 (i.e., cup shaped with a hollow center area **24** of a selected depth and diameter) thus concentrating the magnetic field of slider magnet **20** around the interior surface of tube **10** and closer to coils **16**.

The slider is caused to move by applying electrical signals to coils **16**. For purposes of this discussion the pole orientation of the various magnets shown in FIG. 1 is assumed. To move the slider to the left, the electrical signal applied to both of coils **16** creates an electromagnetic field having an S pole which attracts the N pole on the left of magnet **20** and repels the S pole on the right of magnet **20**, with the distance to the left that the slider moves being a function of the strength of the electromagnetic fields created by the electrical signal applied to coils **16** as well as the strengths of end magnets **14** and slider magnet **20**. To cause movement of the slider to the right, a signal of the opposite polarity to that that caused movement to the left is applied to coils **16**. Thus by varying the pattern and amplitude of the signal applied to coils **16**, the slider can be caused to move in a desired pattern speed and distance. Any movement of the slider from the center position meets with resistance from the end magnet **14** in direction of movement in an effort to return the slider to the center position.

6

The closer the slider gets to an end of tube **10**, the more resistance it faces from magnet **14** at that end of tube **10**. The force of that resistance is proportional to the traveled distance of the slider from the center (rest) position. As the driving signal on coils **16** changes direction, the direction of travel of the slider also changes. The movement in the changed direction is then resisted similarly to that in the opposite direction as the slider approaches magnet **14** at the opposite end of tube **10**. The relationship in either direction is totally proportional to the movement of the slider and therefore the movement or vibration is a mirror of the signal applied to coils **16**. During oscillation, end magnets **14** can be designed to offer just the right amount of resistance to help repel the slider back to its original center position (part of that force comes from the electromagnetic field reversal provided when the signal direction is reversed in coils **16**). End magnets **14** offer the centering feature as well as a linear force-strain resistance as the slider approaches the corresponding end of tube **10**. During movement, the slider is continuously resisted by a repelling force from both end magnets **14** with that force being inversely proportional to the distance between the slider and the corresponding end magnet **14**. That is the repelling force from the end magnet **14** being approached increases and at the same time the repelling force from the end magnet **14** that the slider is moving away from is decreasing. Since end magnets **14** have substantially the same strength, the repelling force from each end magnet **14** varies linearly in both directions. As the signal amplitude applied to coils **16** increases, the slider shifts to one side or the other, loading the magnetic spring that is produced by the similar poles of slider magnet **20** and the end magnet **14** being approached as the distance between those two magnets grows shorter.

In FIG. 2 there is shown a second embodiment of the present invention. This embodiment is similar to that of FIG. 1 and each of the items that are the same have the same reference number. Here each of the end caps **12'**, end magnets **14'**, slider magnet **20'** and plates **22'** have a hole through the longitudinal center. Passing through the hole in the center of each of those items is non-ferrous (non-magnetic) rod **26**. Additionally there is a bearing in the center hole of end caps **12'** and magnets **14'** with rod **26** passing through bearings **28**. The slider (magnet **20'** and plates **22'**) is attached to rod **26**. With rod **26** being centered and passing through the slider, the slider will always be centered in the diameter of tube **10** and thus be prevented from coming into contact with the inner surface of tube **10** when in motion or at rest.

The overall length of rod **26** depends on the width of slider magnet **20'** and the width of end magnets **12'**. The minimum length of rod **26** must be greater than the distance between end caps **12'** plus twice the width of the wider of slider magnet **20'** or end magnets **14'** so that when one end of rod **26** extends out from one of end caps **12'** the second end of rod **26** has not come free of the hole though magnet **14'** at the end of tube **10** from which rod **26** is not extending or is the shortest.

Thus if tube **10** is being held in a fixed position, then rod **26** moves with the slider when coils **16** are energized. Alternatively, if either or both ends of rod **26** are attached to a fixed location when a signal is applied to coils **16** the slider becomes the stator and the stator becomes the slider. Stated another way, tube **10**, end caps **12'** and magnets **14'** physically move relative to the external point(s) to which rod **26** is fixed with rod **26**, magnet **20'** and plates **22'** remaining fixed relative to the point(s) of attachment of rod **26**.

Referring next to FIG. 3 there is shown a longitudinal cross-section of a third embodiment of the present invention. This embodiment is similar to that of FIG. 2 with the difference being that magnet **20'** and plates **22'** are not affixed to rod

26 and thus able to move on rod 26 when coils 16 are energized; while at the same time the ends of rod 26 are threaded with nuts 32 being tightened to contact each of end caps 12'. To reduce wear on non-ferrous rod 26 a bearing 30 can be added around rod 26 and extending into the center holes of magnet 20' and plates 22'. In this configuration the result is the same regardless whether tube 10 is fastened to a fixed point external tube 10 or rod 26 is fastened to a fixed point external to tube 10 since nuts 32 prevent rod 26 from moving relative to tube 10. Therefore when coils 16 are energized only slider magnet 20' and plates 22', magnetically attached thereto, move relative to tube 10.

Next, turning to FIG. 4 there is shown a longitudinal cross-section of a fourth embodiment of the present invention that is similar to the embodiment of FIG. 1 with several additions. Here, as has been done previously, the elements that are the same as those in FIG. 1 have been given the same reference numbers to avoid confusion.

One of the added features in this embodiment is the external treads 34 on the ends of tube 10 that mate with the internal treads 36 of end caps 12". The inclusion of threads 34 and 36 permit a fine adjustment of the position of end caps 12" and thus also end magnets 14 to equalize the magnetic strength exerted by each of end magnets 14 on the slider to accurately center the slider when at rest. Additionally, if the electromagnetic motor of the present invention is mounted vertically on one of end caps 12" or at an angle with one of end caps 12" lower than the other, the position of one or both end caps 12" has/have to be adjusted to also adjust the magnetic forces to counter for the weight of the slider with gravity tending to move the slider toward the lower of the end caps 12" and the corresponding magnet 14. The weight of the slider is not a problem when the electromagnetic motor is mounted in the horizontal position since the weight is not tending to position the slider closer to one of the ends of tube 10 since the weight vector of the slider is substantially perpendicular to the longitudinal axis between the ends of tube 10.

FIG. 4 also includes magnetically conductive end plates 38 (e.g., steel) on the internal side of end magnets 14. End plates 38 include a central extension, or plateau, 40 facing the hollow center 24 of slider plates 22. Plateau 40 can either be formed as an integral part of end plate 38, or it can be a thick circular piece of a magnetically conductive material that is either fastened to, or magnetically retained by, the larger diameter portion of plate 38 as shown in FIG. 4 substantially in the center thereof. The height of plateaus 40 is sufficient so that plateau 40 could extend at least partially into hollow center 24 of slider plate 22 as the slider approaches end plate 38 and before slider plate 22 comes into contact with end plate 38. With the inclusion of plateau 40 as part of end plates 38, the magnetic field of end magnet 14 is substantially concentrated in plateau 40. Thus, as the slider approaches the end magnet assembly, the magnetic field concentrated in plateau 40 interacts with the magnetic field of slider magnet 20 with a repelling force developed that is strongest between plateau 40 and a center region of slider plate 22 in hollow center 24. This concentration of the magnetic repelling force over an area that is smaller than the full diameter of slider plate 22 results in the generation of the repelling force sooner than if end plate 38 did not have plateau 40, or if end plate 38 was not present at all.

A third addition that is shown in FIG. 4 is the inclusion of a low friction sleeve 42 around the outer surface of each of slider plates 22 between slider plate 22 and the internal surface of tube 10. Low friction sleeves 42 reduce the energy necessary to move the slider from rest and to reverse direction of the slider by coils 16 when energized or the direction of

current flow is changed. This will thus improve the performance of the electromagnetic motor of the present invention. If slider magnet 20 has a diameter that is substantially the same or larger than the diameter of slider plates 22, low friction sleeve 42 would also surround slider magnet 20.

FIGS. 5A-C make up a horizontal cross-section exploded view of a fifth embodiment of the present invention with the slider (FIG. 5B) as the outer most component with the stator (FIG. 5A) surrounded by the slider. The stator is shown in the center and consists of an aluminum (or other non-ferrous material) mounting rod 100 that is vertically oriented in the view of FIG. 5A. At one end of rod 100 there is/are multiple mounting feet 102. Mounting feet 102 can take various shapes and include one or more elements. For example, feet 102 can be a circular flange that extends outward from post 100 or it can be multiple flanges that individually extend outward from post 100. Whatever shape mounting feet 102 take it/they provide an attachment means to a fixed surface. In FIG. 5A mounting foot/feet 102 is/are shown being screwed to a surface.

Wound horizontally around mounting post 100 are two coils 104, one at the top of post 100 and a second spaced apart a selected distance toward the bottom of post 100. Centered between coils 104 is ferromagnetic metal ring 106 having a width substantially equal to the selected distance between coils 104. Metal ring 106 also surrounds post 100 horizontally in FIG. 5A. To assist in visualization of the orientation of coils 104 and ring 106 with respect to each other and post 100, an "X" has been placed on the right side of each of coils 104 and ring 106, and on the left a "●" has been placed on the left side of each of coils 104 and ring 106. If one were to consider a vector that follows the external surface of coils 104 and ring 106, with "X" indicating the starting point of the vector that extends into the page and the "●" indicates where the vector would exit the page, one can easily see that coils 104 and ring 106 are oriented horizontally, or stacked, so to speak on post 100.

To the left of the stator in FIG. 5A is the slider (FIG. 5B) of this embodiment. The slider has three components, a central ring magnet 108 with a ferro-magnetic ring 110 above and below ring magnet 108. Each of rings 110 and ring magnet 108 have a central diameter that is slightly large than the greater outer diameter of stator coils 104 or ring 106. Here it can be seen that each of rings 110 have the same height as the height of coils 104 of the stator, and ring magnet 108 has the same height as stator metal ring 106. Here the "X" and "●" are used on ring magnet 108 and rings 110 of the slider to illustrate each of those components as being a horizontally oriented rings.

To the right of the stator of FIG. 5A is a dielectric, low friction, non-ferrous sleeve 112 (FIG. 5C) that has an inner diameter that is large enough to permit placing sleeve 112 around coils 104 and ring 106 of the stator, while having an outer diameter that is smaller than the inner diameter of rings 110 and magnet 108 of the slider thus permitting the placement of the slider around sleeve 112 when in place around the stator. Sleeve 112 serves two purposes: as an electrical insulator to prevent shorting out coils 104 as the slider moves; and to provide a low friction surface to minimize the friction between itself and the slider during operation. The lower friction feature also permits starting and reversing the motion of the slider with less energy during operation. For convenience, sleeve 112 could be part of the slider with rings 110 and magnet 108 mounted on the outer surface of sleeve 112.

In FIG. 5D there is shown a horizontal cross-section assembled view of the embodiment of FIGS. 5A-C. FIG. 5D also shows, in dotted-outline to minimize confusion, a dust

cap **114** in place enclosing the stator-slider assembly. Dust cover **114** can be made of many different materials, metal, plastic, etc. To minimize possible magnetic coupling between the dust cap, the selection of material for the dust cap would best be a non ferrous material. The use of a material that is also a dielectric would be of a further advantage to minimize the possibility of an electrical short, or spark between top coil **104** and the dust cap. The embodiment of FIGS. **5A-D** also present the possibility of easy repair or replacement of constituent components if necessary.

The at rest position is that shown in FIGS. **5A-D** and is achieved by magnetic attraction between magnet **108** and ferro-magnetic metal ring **106**. When an electrical signal is applied to coils **104** an electromagnetic field is created that drives the slider up or down depending on the polarity of the electromagnetic field by magnetic interaction with magnet **108**.

FIGS. **6A-D** are horizontal cross-sections of exploded and assembled views of a sixth embodiment that is a modified version of the embodiment of FIGS. **5A-5D**. While sleeve **112** and dust cover **114** are not shown in FIGS. **6A-D**, they have merely been omitted to more clearly show the detail of the modified features of this embodiment. As can be seen in both of FIGS. **6A** and **6D**, modified aluminum mounting rod **100'** does not include mounting feet **102** as shown in FIGS. **5A** and **5D**. Instead a screw **102'** extends out from the bottom of post **100'** allowing mounting by screwing post **100'** into the surface where the electromagnetic motor is to be located.

A second modification is in the inclusion of a flange **116** extending from the outer surface of one end of each of slider ferro-magnetic rings **110'** with the inner diameter of flange **116** being slightly greater than the outer diameter of ring magnet **108**. The flange **116** of each of slider ferro-magnetic rings **110'**, when rings **110'** are mated with ring magnet **108**, extending over a portion of the top and bottom ends of ring magnet **108** and provide more positive positioning of rings **110'** relative to magnet **108**.

Next, in FIG. **7** there is shown a longitudinal cross-section of a seventh embodiment of the present invention that is a modified version of the fourth embodiment of FIG. **4**, however the feature added here could be used with any tubular design of an electromagnetic motor, and a variation of this design can also be made to an external slider design, e.g., the embodiments of FIGS. **5A** through **6D**. The main thrust of this embodiment is the inclusion of a tube **10'** that has a longitudinal cross-section in the shape of an arc. For the external slider embodiments of FIGS. **5** and **6**, post **100**, ring **106** and coils **194** of the stator and magnet **108** and rings **110** of the slider would have to have the same degree of arc.

With tube **10'** having an arc also requires a modification of the cross-sectional shape of the slider magnet **20'** so that slider plates **22** and end plates **38** are substantially parallel to each other as the slider approaches, and substantially reaches, either end of tube **10'**. To provide that substantially parallel interface of the plates at the ends of travel the cross-sectional shape of slider magnet **20'** needs to be substantially that of a keystone, i.e., the line of the extended sides of magnet **20'** are perpendicular to the inner surface of tube **10'**. Coils **16** thus have to be placed so that the inner edge of each coils is parallel to each side of magnet **20'**.

With tube **10'** having the shape of an arc the electromagnetic motor of this embodiment is capable of producing vibration as well as a twisting motion of tube **10'**. When small signal impulses are applied to coils **16** only vibration, produced by short travel distances of the slider, is experienced by the user since the internal rotation of the slider is very small and practically undetectable. With longer signal impulses

applied to coils **16**, the stator travels rotationally within tube **10'** producing vibration of tube **10'** as well as transferring a rotational component to tube **10'**.

Given the magnetic poles of the three magnets oriented as shown in FIG. **7** (N to the left and S to the right) the slider develops a counter clockwise motion when moving to the left and clockwise motion when moving to the right relative to the longitudinal center of tube **10'**. In special effect applications, this design makes a twisting force due to the moving mass of the slider with some of the energy of the rotation of the slider transmitted to tube **10'**. When one end **12'** is fastened to a fixed point and the other end **12'** is fastened to something that permits at least some degree of rotational motion or is subject to some vibration, for example a chair, this design will induce a force on the chair that vibrationally rotates the chair in clockwise and counter-clockwise directions through a small angle as the slider moves within tube **10'**. If incorporated in a game controller, this design will enhance special effects by vibrationally rotating the user's hand as the slider travels within tube **10'**.

Referring next to FIG. **8** there is an exploded perspective view of a first example mounting technique for the electromagnetic motor of the present invention. This technique is particularly applicable where it is desirable to attach an electromagnetic motor between two points, e.g. those of FIGS. **1-4** and **7**. For purposes of example the embodiment of FIG. **1** is used here with each of end caps **12** having affixed thereto an end bracket **200** that extends outward from end cap **12** with bracket **200** having an attachment hole **202** formed in the end of bracket **200**.

To mate with end brackets **200** a pair of mounting brackets **204** are proved at opposite ends of tube **10** with each of mounting brackets **204** having an attachment hole **208** formed in the end of bracket **204**. To attach mounting brackets **204** to a selected surface, each has a mounting flange **206** at the end opposite attachment hole **208**, with flange **206** having mounting means formed therein. In the example of FIG. **8**, screw or bolt holes are provided in each of flanges **206**. To complete the installation, attachment holes **202** and **208** are aligned with each other and an attachment device (e.g. a bolt) passed between each of those holes and closed on opposite sides of brackets **200** and **204**.

FIG. **9A** shows a longitudinal cross-section of the electromagnetic motor of FIG. **4** equipped for mounting with brackets **200** and **204** as shown in FIG. **8**. FIG. **9B** shows a longitudinal cross-section of the electromagnetic motor of FIG. **4** mounted below a surface utilizing the mounting brackets of FIG. **8**. Similarly, the motor could be mounted to a vertical surface. FIG. **9C** shows a longitudinal cross-section of the electromagnetic motor of FIG. **4** mounted between two parallel surfaces utilizing the mounting brackets of FIG. **8**. The orientation of brackets **200** and **204** at one end of the motor need not be the same as at the opposite end, e.g., one end could be mounted to a vertical surface while the other is mounted to a horizontal surface, in fact the two surfaces could be at any angle with respect to each other.

While the present invention has been shown and discussed in relation to several different embodiments, one skilled in the art could easily modify any of those embodiments and incorporate the unique features of the present invention in various other formats. Additionally, one could replace any number of the magnets shown in the various embodiments with coils capable of creating an electromagnetic field. In fact all magnetic fields of the present invention could be created with such a coil, including that of the slider when internal to the stator as in FIGS. **1-4** and **7**, or the slider when external to the stator as in FIGS. **5A** through **6D**. Also, either or both of stator coils **16**

11

or 104 shown in the embodiments of the present invention could be replaced with a magnet.

FIG. 10 is a longitudinal cross-section of an end mounted eighth embodiment of the present invention that has fewer components than the embodiments discussed previously. Here the stator consists of tube 10, spaced apart electromagnetic coils 16 wound on the outside of tube 10, cover 18 for coils 16, top end cap 12a, bottom end cap 12b and an end magnet 14 within bottom end cap 12b. The slider consists of a slider magnet 20, a bottom slider plate 22a magnetically retained by the lower side of magnet 20, and a top slider plate 22b magnetically retained by the upper side of magnet 20. At rest the slider is as shown in FIG. 10 with each of slider plates 22a and 22b opposite a different one of coils 16 which are spaced apart from each other by a distance that is substantially the same as the thickness of slider magnet 20 as in previous embodiments.

As one can see this embodiment only includes only two magnets. In this embodiment when coils 16 are energized they cause the slider to move up or down in the same way as in previously discussed embodiments where the slider moves left or right. In this embodiment, when the slider is driven upward there is no top magnet to repel the slider downward. Here the downward return force is provided by the combination of gravitation pull and the weight of the slider. When the slider is driven downward by coils 16, lower end magnet 14 proves a repelling force to push the slider upward. In this embodiment, the weight of the slider has to be balanced by the strength of lower end magnet 14 otherwise the same strength of the fields provided to drive the slider up may not be the same as to drive the slider downward. To compensate for any imbalance, lower magnet 14 could be moved closer to or further away from bottom plate 22a of the slider as necessary. If there is insufficient adjustment available for moving lower end magnet 14 a sufficient distance, coils 16 will have to be always activated at a base signal level to support the slider in the at rest position shown in FIG. 10 when no force is needed to move the slider either up or down, and when movement is desired, the necessary signal to provide the distance of movement will have to be combined with the base signal level which will result to either increase, decrease or reverse the total signal applied to coils 16. Alternately, a third external coil could be substituted for lower end magnet 14. In doing so the strength adjustment for the magnet substitute coil could easily be accomplished by adjusting the steady state current applied to the magnet substitute coil without having to deal with a background signal applied to coils 16 for centering the slider.

The ninth embodiment of the present invention is shown in FIG. 11 which is a longitudinal cross-section of that embodiment which is a modified embodiment of that of FIG. 4. In this embodiment, the slider includes slider magnet 20 and slider plates 22 as in previously discussed embodiments. The stator includes tube 10 and coils 16, and in place of end magnets 14 as in the previously discussed embodiments, magnet substitutes in the form of coils 44 and 46 are wound at opposite ends of tube 10 to create a constant electromagnetic field to simulate the field of the magnets being replaced, in this view an S pole field on the right and a N pole field on the left. To adjust and balance the electromagnetic fields at the ends of tube 10 the steady state signal applied to either or both of coils 44 and 46 can be adjusted.

There are also other combinations of devices capable of creating a magnetic field that could be utilized and after seeing the features of the present invention one skilled in the art could create equivalent configurations that include the features of the present invention. Therefore it is intended that

12

the present invention only be limited by the claims, and equivalents upon which the claims can be read.

What is claimed is:

1. An electromagnetic motor comprising:

a stator having:

a non-ferrous tube of a selected axial length having a first end and a second end;

a pair of end caps, one of said end caps closing each of said first and second ends of said tube;

first and second stator magnetic flux producing elements surrounding said tube and spaced apart from each other a first axial distance with each of said first and second stator elements on an opposite side of a point on said tube half-way between said first and second ends of said tube closest to, and spaced apart from, a correspondingly numbered end of said tube with each of said first and second stator magnetic flux producing elements disposed to direct a magnetic flux axially within said tube in the direction of said first and second ends within said tube; and

a third stator magnetic flux producing element at said first end of said tube spaced apart a second axial distance from a closest side of said first stator magnetic flux producing element wherein said second axial distance is greater than said first axial distance with said third stator magnetic flux producing element providing magnetic flux of a first polarity axially into said tube; and

a slider disposed to move axially within said tube between said first and second ends, said slider includes a slider magnetic flux producing element having a first and a second side and a width axially that is substantially equal to said first axial distance, said first side of said slider magnetic flux producing element providing flux of said first polarity axially toward said first end of said tube and said second side providing flux of a second polarity axially toward said second end of said tube;

wherein an at rest position of said slider magnetic flux producing element is substantially centered relative to a center of the first distance between said first and second stator magnetic flux producing elements.

2. The electromagnetic motor of claim 1 wherein said first and second stator magnetic flux producing elements are a pair wire coils wrapped around said tube.

3. The electromagnetic motor of claim 1 wherein said third stator magnetic flux producing element is a wire coil wrapped around said first end of said tube.

4. The electromagnetic motor of claim 1 wherein said third stator magnetic flux producing element is a magnet within said first end of the tube.

5. The electromagnetic motor of claim 1 wherein said slider magnetic flux producing element is a magnet.

6. The electromagnetic motor of claim 1 wherein the strength of the first polarity magnetic flux produced by each of said third stator magnetic flux producing element and said first side of said slider magnetic flux producing element are selected to support a weight of said slider at said at rest position when said first end of said tube is mounted lower than said second end of said tube.

7. The electromagnetic motor of claim 1 further comprises a fourth stator magnetic flux producing element at said second end of said tube spaced apart said second axial distance from a closest side of said second stator magnetic flux producing element with said fourth stator magnetic flux producing element providing magnetic flux of a second polarity axially into said tube.

13

8. The electromagnetic motor of claim 7 wherein: said first and second stator magnetic flux producing elements are a pair of wire coils wrapped around said tube; said third stator magnetic flux producing element is a wire coil wrapped around said first end of said tube; and said fourth stator magnetic flux producing element is a wire coil wrapped around said second end of said tube.
9. The electromagnetic motor of claim 7 wherein said slider magnetic flux producing element is a magnet.
10. The electromagnetic motor of claim 9 wherein: said third stator magnetic flux producing element is a magnet within said first end of the tube; and said fourth stator magnetic flux producing element is a magnet within said second end of the tube.
11. The electromagnetic motor of claim 10 wherein: each of said first and second ends of said tube defines external threads thereon; each of said pair of end caps defines internal threads disposed to mate with said external treads on the ends of said tube; one each of said third and fourth stator magnets is attached to a inner surface of each of said pair of end caps; whereby adjusting the rotational position of each of said pair of end caps, the positioning of said slider can be adjusted to be at said at rest position within said tube
12. The electromagnetic motor of claim 10 with said tube having an arcuate shape wherein movement of said slider within said tube results in rotational motion of said tube in a clockwise direction when said slider approaches one of said first and second ends of said tube and in a counter-clockwise direction when said slider approaches a second of said first and second ends of said tube
13. The electromagnetic motor of claim 9 wherein: a hole is defined through each of said pair of end caps, each of said third and fourth stator magnetic flux producing elements and said slider magnet, with all holes aligned one with the other creating a longitudinal path through said tube; and a non-ferrous rod, sized to fit through said aligned holes with a length greater than the selected length of the tube plus a distance between one of said third and fourth stator magnetic flux producing elements and said slider magnet measured when said slider magnet is in the at rest position, is extended through said holes and attached to said slider magnet; wherein: when said tube held in a fixed position said rod moves back and fourth with said slider magnet when said first and second stator magnetic flux producing elements are selectively energized; and when at least one end of said rod is fastened to a fixed location said tube moves back and fourth when said first and second stator magnetic flux producing elements are selectively energized.
14. The electromagnetic motor of claim 7 wherein the strength of the magnetic flux produced by each of said third and fourth stator magnetic flux producing elements is substantially equal and of sufficient strength to return said slider to, and maintain said slider at, said at rest position when said first and second stator flux producing elements are inactivated.
15. The electromagnetic motor of claim 14 wherein, in an under damped situation, the strength of the magnetic flux produced by each of said third and fourth magnetic flux producing elements is greater than the strength of the magnetic flux produced by said slider magnetic flux producing element.

14

16. The electromagnetic motor of claim 14 wherein, in a critically damped situation, the strength of the magnetic flux produced by each of said third and fourth magnetic flux producing elements is substantially the same as the strength of the magnetic flux produced by said slider magnetic flux producing element.
17. The electromagnetic motor of claim 14 wherein, in an under damped situation, the strength of the magnetic flux produced by said slider magnetic flux producing element is greater than the magnetic flux produced by each of said third and fourth magnetic flux producing elements.
18. The electromagnetic motor of claim 7 wherein: said slider magnetic flux producing element is a slider magnet having first and second sides and an edge shape that is smaller than internal dimensions of said tube wherein said edge is substantially parallel to an inner surface of said tube; said slider further comprises first and second magnetically conductive plates each of a selected thickness and edge shape that is substantially the same as an internal cross-sectional shape of said tube and dimensions that are smaller than internal dimensions of said tube, wherein: a first side of said first magnetically conductive plate is adhering to said first side of said slider magnet with a second side of said first magnetically conductive plate facing said first end of said tube; and a first side of said second magnetically conductive plate is adhering to said second side of said slider magnet with a second side of said second magnetically conductive plate facing said second end of said tube.
19. The electromagnetic motor of claim 18 wherein said second side of each of said first and second magnetically conductive plates defines therein a centrally located cavity of a selected depth and a lateral dimension that is smaller than said edge dimensions of the corresponding one of said first and second magnetically conductive plates.
20. The electromagnetic motor of claim 19 wherein: said third stator magnetic flux producing element includes: a first stator magnet within said first end of the tube with a first side substantially even with said first end of the tube and a second side extending into the first end of the tube; and a first magnetically conductive end plate having a first side adhering to said second side of said first stator magnet and a second side defines a centrally positioned extension having a selected height that is less than said selected depth of the cavity in said first magnetically conductive plate; and said fourth stator magnetic flux producing element includes: a second stator magnet within said second end of the tube with a first side substantially even with said second end of the tube and a second side extending into the second end of the tube; and a second magnetically conductive end plate having a first side adhering to said second side of said second stator magnet and a second side defines a centrally positioned extension having a selected height that is less than said selected depth of the cavity in said second magnetically conductive plate.
21. The electromagnetic motor of claim 20 wherein as said slider approaches one of said first and second stator end plates the magnetic field of the corresponding one of said first and second stator magnet is concentrated in said centrally positioned extension of said end plate that interacts with said centrally located cavity in each of said first and second magnetically conductive plates.

15

22. The electromagnetic motor of claim 21 wherein a magnetic force is strongest between said extension of said first and second stator end plates and a center region of said cavity in said first and second magnetically conductive plates.

23. The electromagnetic motor of claim 7 wherein:

said third and fourth stator magnetic flux producing elements deliver magnetic flux of a first substantially constant strength with the strength of each being substantially equal to the other;

said slider magnetic flux producing element delivers a magnetic flux of a second substantially constant strength; and

said first and second stator magnetic flux producing elements produce magnetic flux of varying strength and polarity in response to a signal applied to each of them; said slider movement within said tube results from interaction of said varying strength and polarity of flux from said first and second stator magnetic flux producing elements and said first constant strength flux from each of said third and fourth stator magnetic flux producing element with said second constant strength flux from said slider magnetic flux.

24. The electromagnetic motor of claim 23 wherein said motion of said slider mirrors said signal applied to said first and second stator magnetic flux producing elements.

25. The electromagnetic motor of claim 24 wherein when said tube is mounted in a fixed position movement of said slider within said tube creates vibration of said tube with the direction and strength directly proportional to the strength and pattern of said signal applied to said first and second stator magnetic flux producing elements.

16

26. The electromagnetic motor of claim 25 wherein when a known preexisting undesired vibration exists at said fixed position, said signal can be generated to cause said slider to move in a reverse pattern to substantially cancel said undesired vibration.

27. The electromagnetic motor as in claim 23 wherein, when no signal is applied to said first and second stator magnetic flux producing elements, interaction of magnetic flux from said third and fourth stator magnetic flux producing elements from opposite sides of said slider and magnetic flux from said slider magnetic flux producing element causes said slider to locate to said at rest position where equilibrium is reached between the magnetic force on said first and second sides of said slider.

28. The electromagnetic motor of claim 23 wherein a repelling force from each of said third and fourth stator magnetic flux producing elements on said slider varies linearly, increasing as said slider moves closer to and decreasing as said slider moves further away from, the first and second ends of the tube.

29. The electromagnetic motor of claim 1 wherein said tube has a substantially constant lateral shape and size through out the entire length thereof.

30. The electromagnetic motor of claim 29 wherein said tube is substantially straight throughout the entire length thereof.

31. The electromagnetic motor of claim 29 wherein said tube is arcuate throughout the entire length thereof.

* * * * *